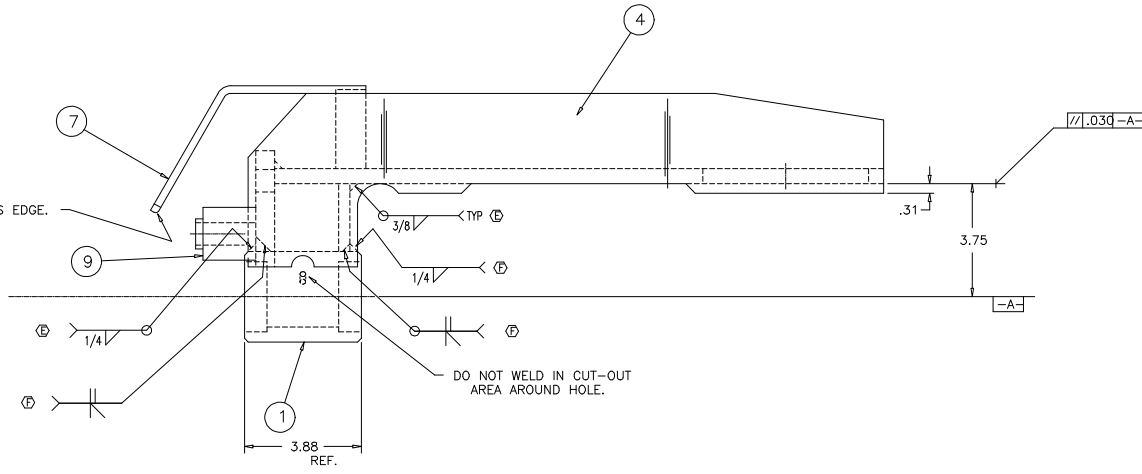
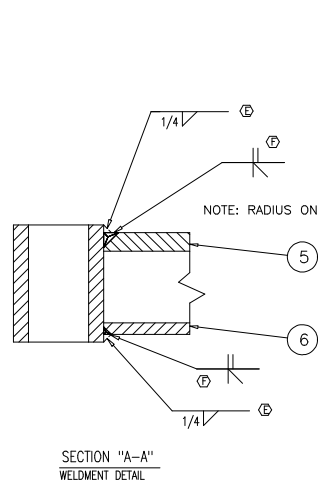
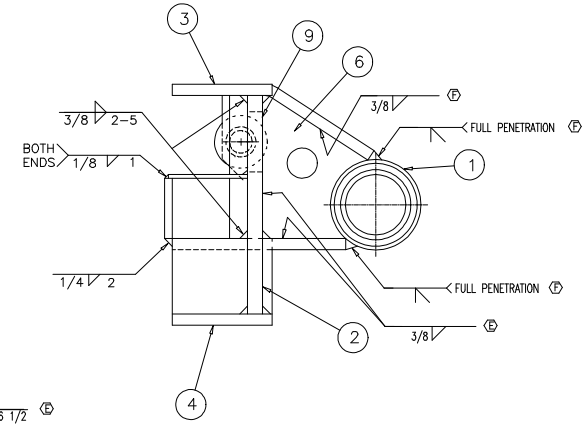
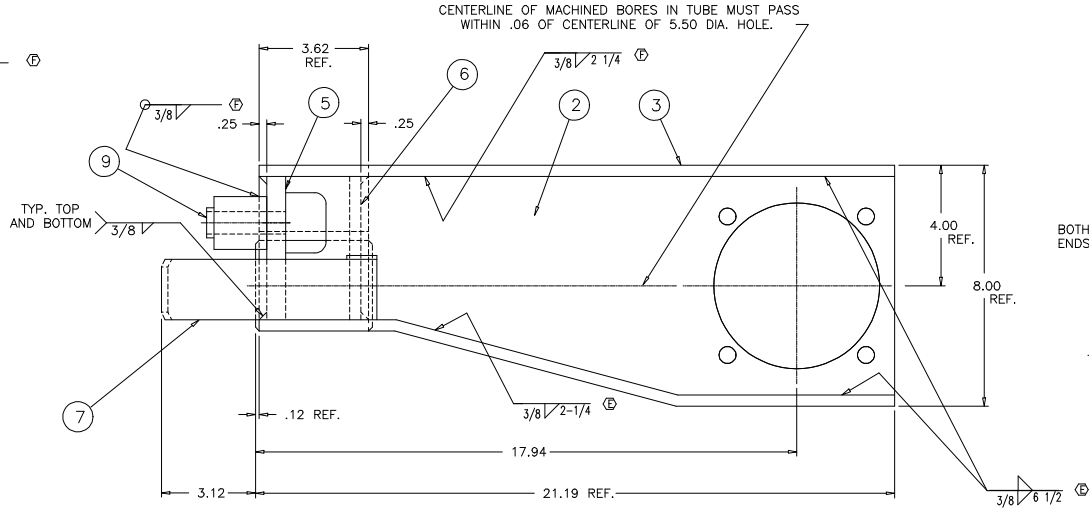
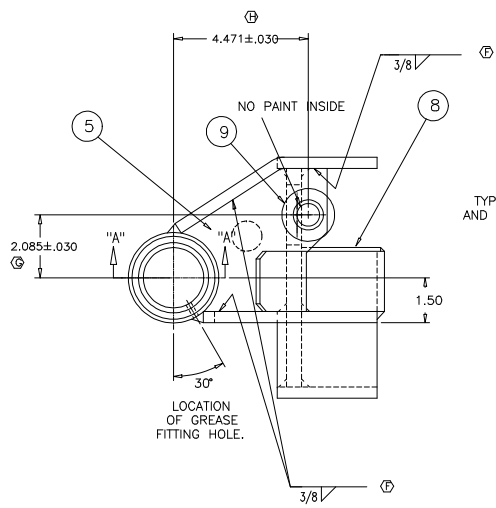


REV	PCO #	DATE	DESCRIPTION OF CHANGE-IS (WAS)	BY:
(A)		9/5/89	PRE-RELEASED	
(B)	1934	9/26/89	REVISED AND REDRAWN	
(C)	1940	10/9/89	RELEASED FOR PRODUCTION	
(D)	1989	11/30/89	ADD ITEMS 7 & 8	
(E)	2077	2/16/90	REVISED AND REDRAWN	
(F)	3339	8/3/93	REVISED WELD DETAILS	
(G)	3339	8/17/93	ADD ITEM 9 / REVISED WELD DETAILS	MRK
(H)		09/02/93	REVISED, 4.094 & 2.085 (3.84 & 2.09)	ST

307340

BILL OF MATERIAL			
ITEM	PART #	DESCRIPTION	QTY
(1)	307341	TUBE-WD STD STEERING FORK	1
(2)	307342	MTG PLT-WD STD STEERING FORK	1
(3)	307343	PLT VERT FRNT-WD STEERING FORK	1
(4)	307344	PLT VERT RR-WD STEERING FORK	1
(5)	307345	TOP PLT-WD STD STEERING FORK	1
(6)	307346	BOT PLT-WD STD STEERING FORK	1
(7)	307602	BAR 1-WD STD STEERING FORK	1
(8)	307603	BAR 2-WD STD STEERING FORK	1
(9)	318188	SPACER-STEERING CYL	1



Y

X

<small>THIS DOCUMENT AND ALL INFORMATION CONTAINED HEREIN IS UNCLASSIFIED AND PROPRIETARY TO AAR POWERBOSS, INC. (AARPI). UNAUTHORIZED REPRODUCTION OR USE THEREOF IS PROHIBITED. THIS DOCUMENT, OR ANY PART HEREOF, OR ANY INFORMATION CONTAINED HEREIN, MAY NOT BE DUPLICATED, REPRODUCED, OR DISCLOSED TO ANY PERSON FOR ANY PURPOSE EXCEPT AS SPECIFICALLY AUTHORIZED IN WRITING BY AAR. BY ACCEPTING THIS DOCUMENT, RECIPIENT AGREES TO COMPLY WITH THE FOREGOING AND TO RETURN THIS DOCUMENT TO AAR IMMEDIATELY UPON REQUEST. UNPUBLISHED--ALL RIGHTS RESERVED UNDER COPYRIGHT LAWS.</small>	SOURCE:			
	PNL: SEE BILL OF MATERIAL	Aberdeen, North Carolina 28315 PHONE (919) 944-2105 FAX (919) 944-7409		
	MATL: FINISH: X	CAD: M KITCHENS	DATE: 08/16/93	
	UNSPECIFIED TOLERANCES: X .1 .03 .010	ONE REQ'D.	DESCRIPTION: ASSY-STD STEERING FORK PNTD	PART NO. 307340
DES. ENG:	ENG. REL:	REV: H	SHT NO. 1 OF 1	